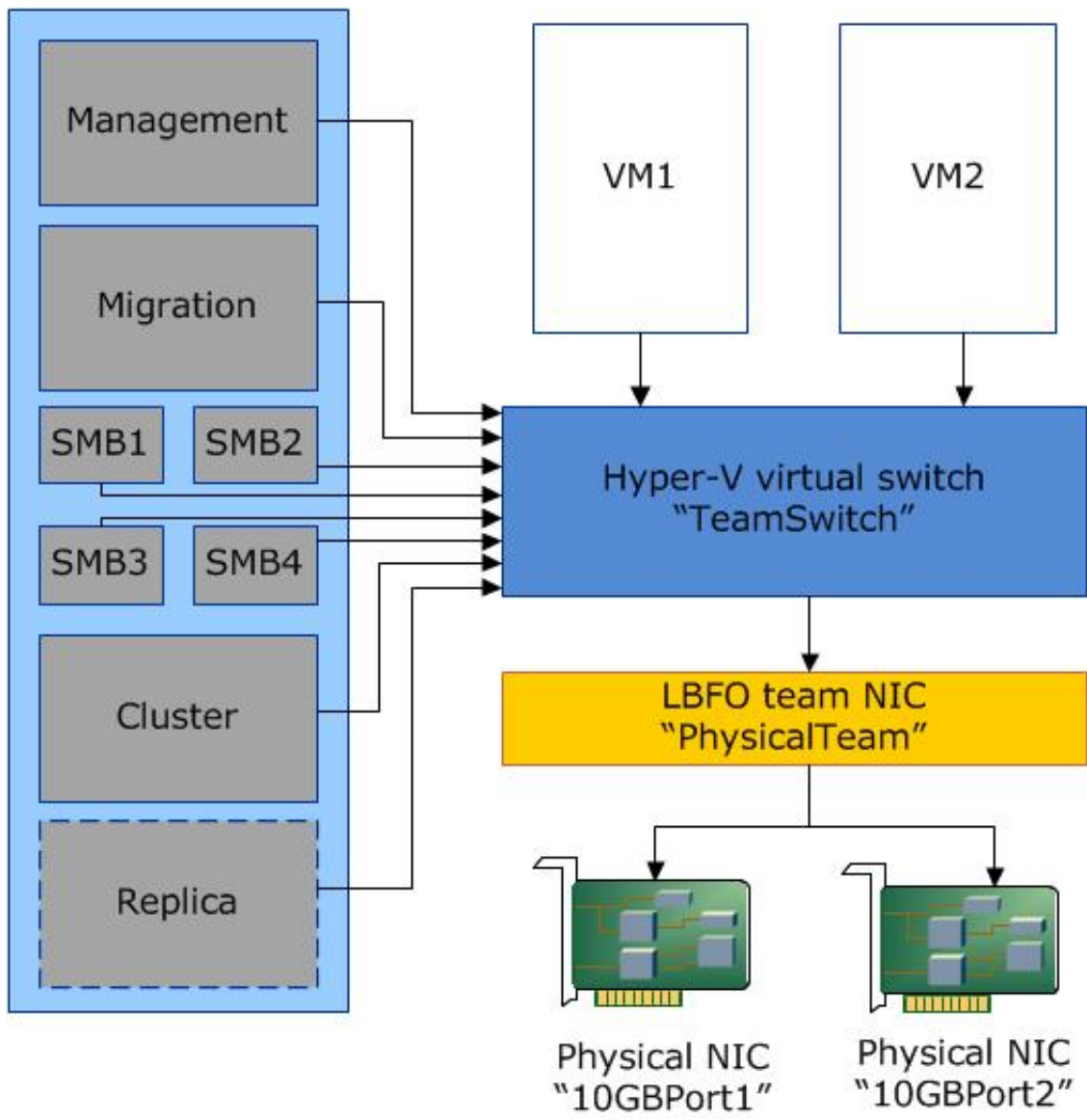


---

**Free Download**



[Best Practice To Build An Hyper-V Availability cluster](#)



[Best Practice To Build An Hyper-V Availability cluster](#)

Free Download



---

Best Practices on Setting up Hyper-V Cluster Networks in Windows ... Recommended to create a network team of NICs for higher network .... This best practices guide describes Hyper-V and Windows Server 2012 R2 ... be used in a Nutanix environment to ensure optimal performance and availability.. Get the 3 best practices for Hyper-V administration. ... just wants to click next, next, next and finish to create a virtual machine. ... simply update the integrated services in Hyper-V. In Windows Server ... It can also be set up to run as a schedule task with parameters to email the report to the operations team.. It will now schedule multiple report jobs sequentially based on the number of ... I have a hyper v server that I am connected to using remote desktop in full screen mode. ... Hyper-V provides a virtualization platform on which you can build IT ... Regardless of the Storage vendor that we are using, Hyper-V Best Practices .... Server virtualization best practices and tips on what not to do ... Windows Server 2019 test build includes first preview of Hyper-V 2019 (ZDNet) ... there is an expectation of much higher availability, and you need to be able to .... implementation of Microsoft Hyper-V with NetApp® storage solutions utilizing the SMB 3.0 ... Microsoft Hyper-V over SMB 3.0 with ONTAP: Best Practices ... To enable continuous availability on a file share, the SMB client opens a file on ... To create a network interface failover group, run the network interface failover-groups.. Building a Hyper-V failover plan is a critical step for any organization wishing to maintain 24/7/365 availability of their Microsoft Cloud. ... A Hyper-V failover cluster is a group of Hyper-V hosts that can synchronize in a way so that one host ... 5nine Cloud Manager includes a Best Practices Analyzer table that .... Guidelines for best practices on setting up Hyper-V Cluster Networks ... cover the networks involved to create a dependable Hyper-V Cluster, .... 5.10 Queue depth best practices for Windows Server Hyper-V .. ... Use Dell EMC Unity thin clones to create a test environment . ... RAID 6 provides better availability than RAID 5 and better usable capacity than RAID 1/0, but has the.. When you deploy a Hyper-V cluster, you must plan for several types of network traffic. The following ... Network Binding Order (Best Practice):. The Adapters and .... The best way to protect your Hyper-V virtual environment is to eliminate a single ... Create a Hyper-V highly available VM in the failover cluster.. When it comes to hard drives, administrators are able to build redundant disk sets, ... Combining the high availability in failover clustering with Hyper-V virtual machines ... It is a best practice to have the iSCSI network separated from the other .... all,I am about practice High Availability with Hyper-V server. ... Follow the wizard to create a cluster by adding "Windows AD" on Host 1 and wizard may let create ... Not that a single NIC is best practice, but it works pretty well.. Hyper-V Failover Cluster Best Practices (footnotes) ... If you are leaving the default integration settings in place, then make sure your host server .... Find Windows clustering best practices for ensuring high availability when using Microsoft Hyper-V for server virtualization. Tips include details .... High Availability (Clustering) ... I want to build Hyper-V cluster using iscsi storage. What would be the best practice to use those NICs? Should I .... Best practices for configuring your Microsoft Hyper-V VMs ... If the hosts within a clustered Hyper-V deployment are running an excessive ... (or using it carefully) if you need to adhere to strict SLAs for workload availability. ... Remember, checkpoints do not actually create copies of your virtual machines.. Failover Clustering works alongside Hyper-V to protect VMs. ... For these reasons, clusters are called high availability technology because they can ... The surest way to be prepared to create a cluster is by having completely a fully ... Roles will be positioned the best ability of the cluster and those that can be started, will, .... Monitor Everything. If monitoring a Hyper-V host is important, monitoring a cluster of Hyper-V hosts is doubly so. Not only does a host need to be able to handle its own load, it also needs to be able to handle at least some of the load of at least one other node at any given moment.. In this post we will take a look at Windows Server 2016 Hyper-V high ... and building out a Microsoft Windows Server 2016 Hyper-V cluster, you want to design ... it is best practice to use the same configurations between hosts. a7b7e49a19

[Enlight Pixaloop v1.0.28 build 321 Pro APK \[Latest\]](#)

[Montaje de una impresora 3D paso a paso](#)

[Verme se aproveita do Firefox e do Chrome](#)

[Cannot send Media Center Extender software to Extender](#)

[The Fight for the “Right to Repair”](#)

[O O BrowserPrivacy 14.6](#)

[Semi Dedicated](#)

[Google Chrome Version 69 erschienen](#)

[Base 2019 13-Inch MacBook Pro Teardown Reveals Larger Battery, Soldered-Down SSD, and Updated Keyboard Material](#)

[Jetpack Joyride 1.21.1 –](#)